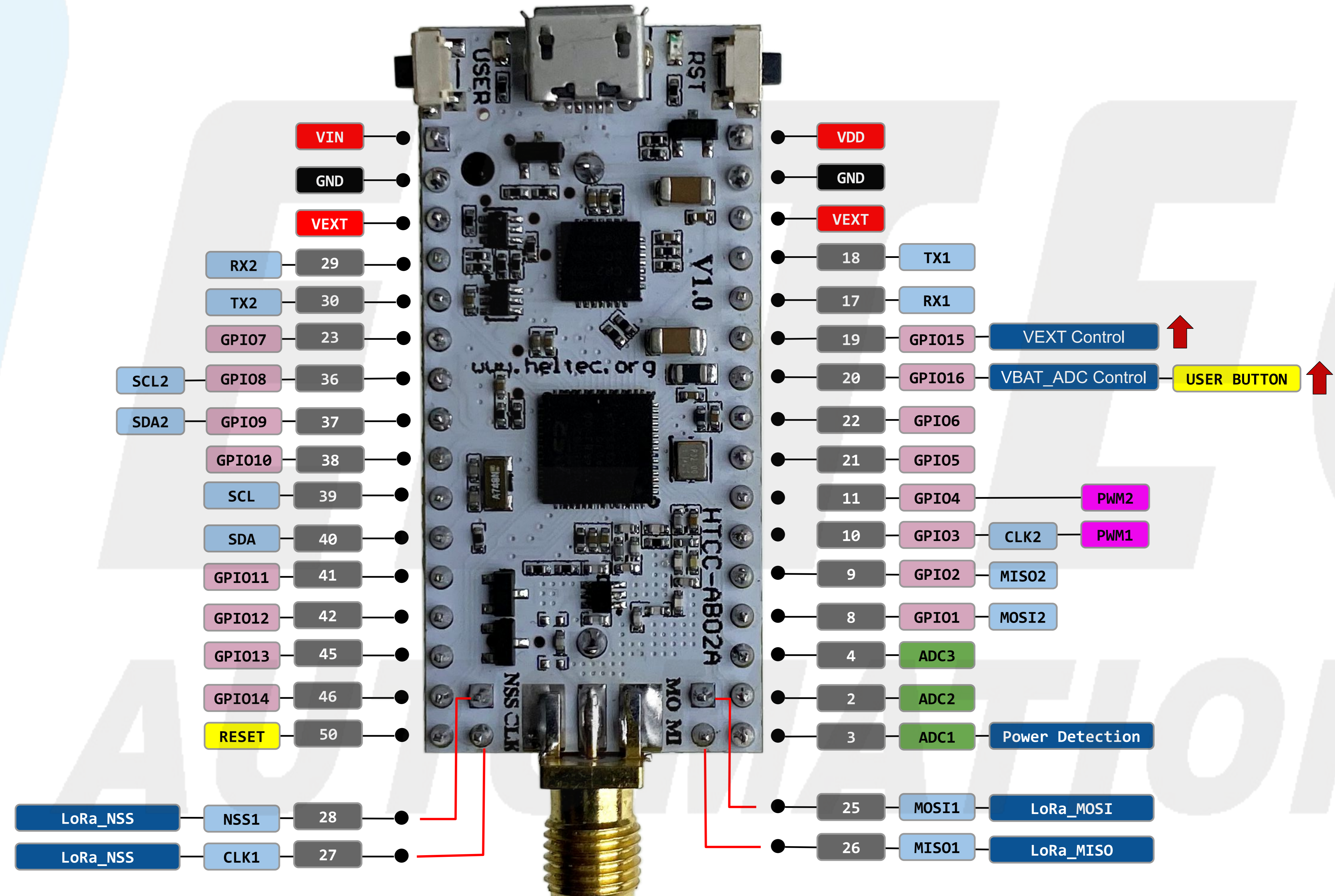


CubeCell HTCC-AB02A Pinout Diagram

- GND
- Power
- Control
- PWM Pin
- GPIO Port pin
- Analog Pin
- DAC
- Serial SPI I2C
- Physical Pin
- On-board hardware Pin

Notes:

- VEXT : External power supply (3.3V), control the switch of VEXT through GPIO(LOW-ON,HIGH-OFF)
- VDD : 3.3V
- VIN : 5V
- NSS2 can choose any IO port



PULL-UP