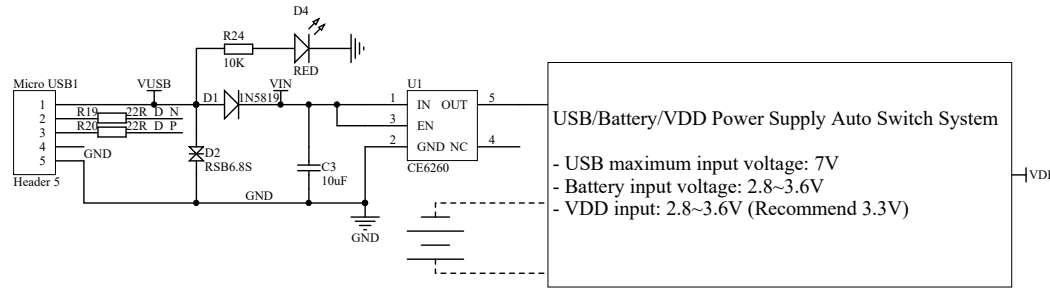
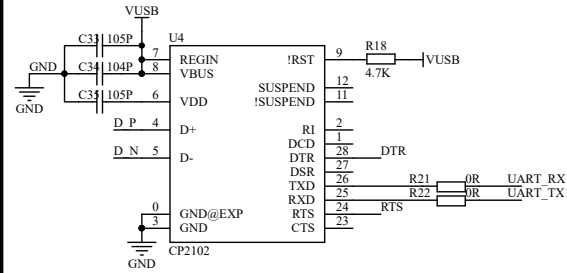


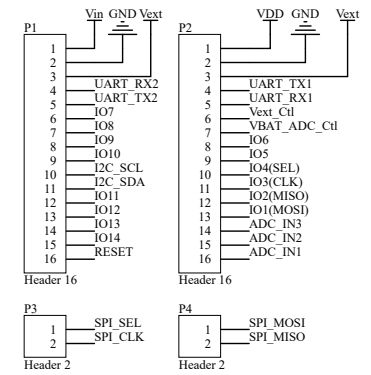
Power management system



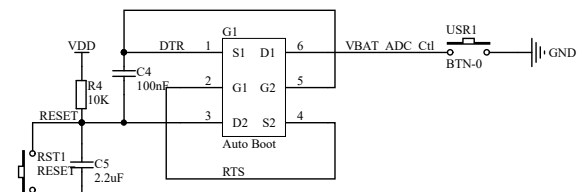
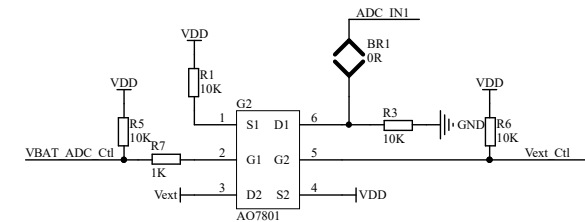
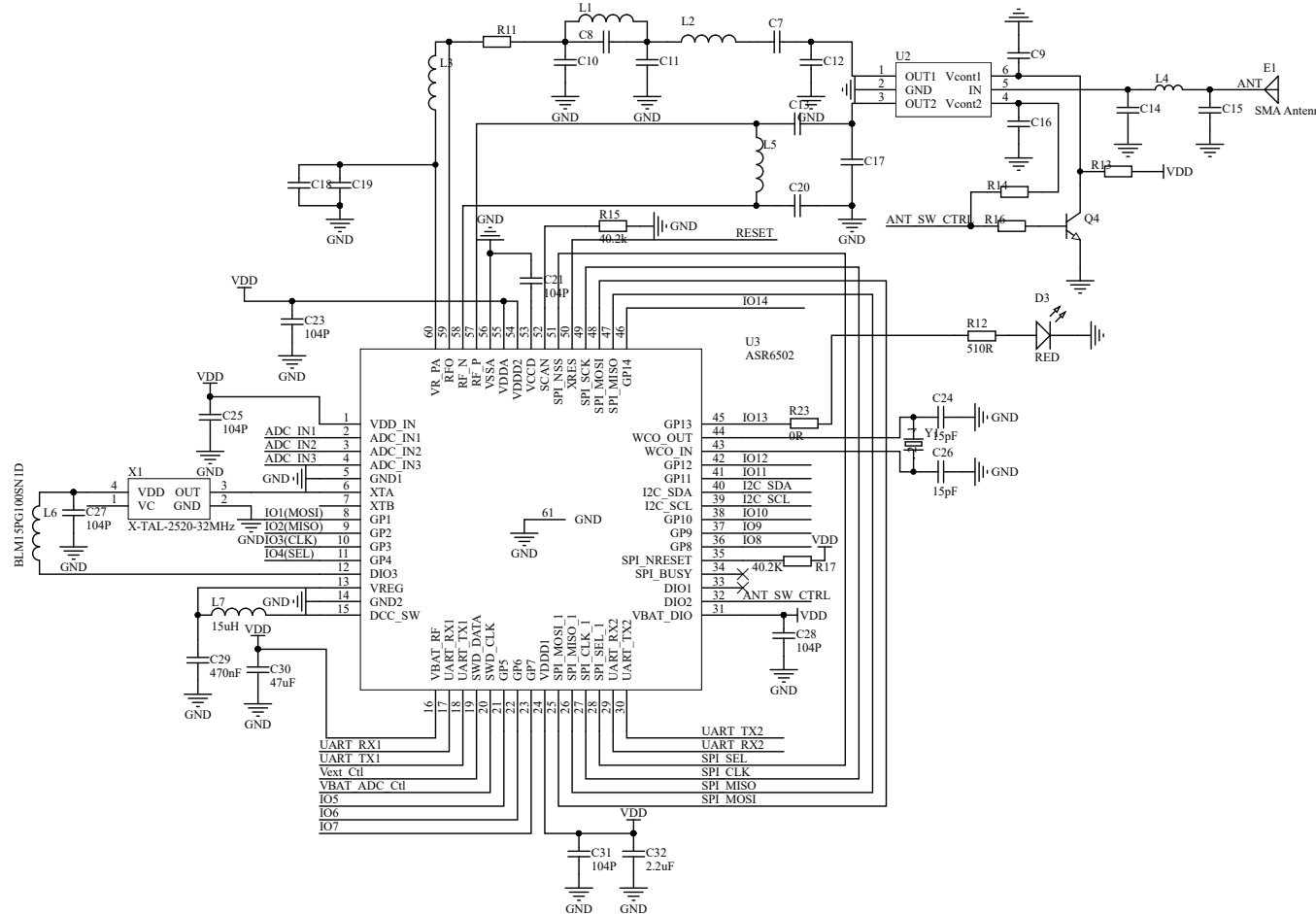
CP2102: USB to Serial port



Header



MCU & LoRa



Auto Boot

DTR = 1; RTS = 0	System Hanging
RTS = 0 → 1	Run from user code in FLASH
DTR = 0 → RTS = 0 → RTS = 1 → DTR = 1	Access Boot Loader mode