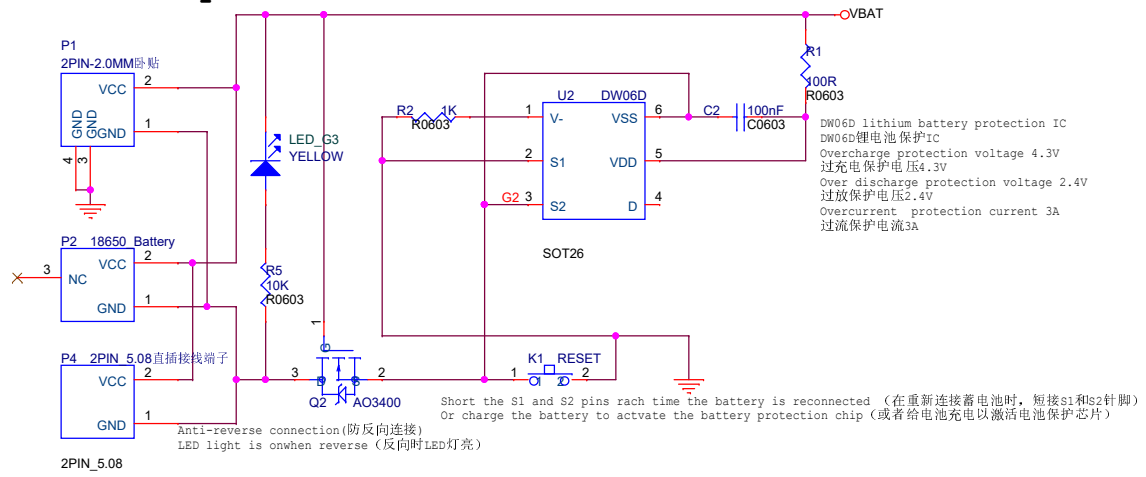
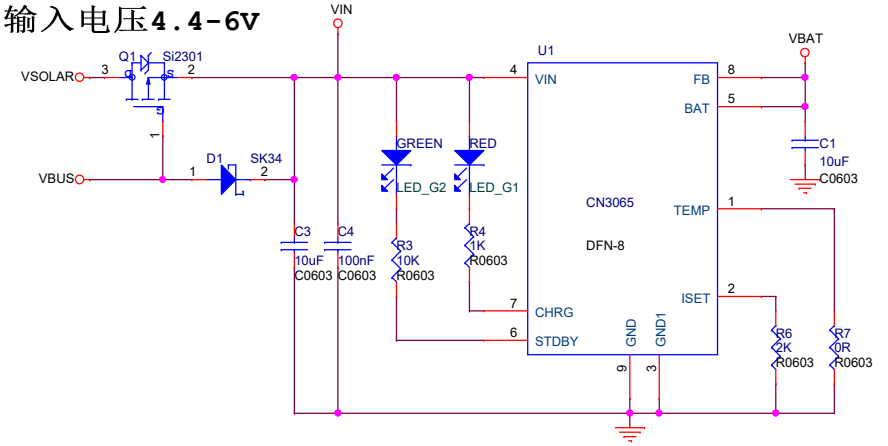


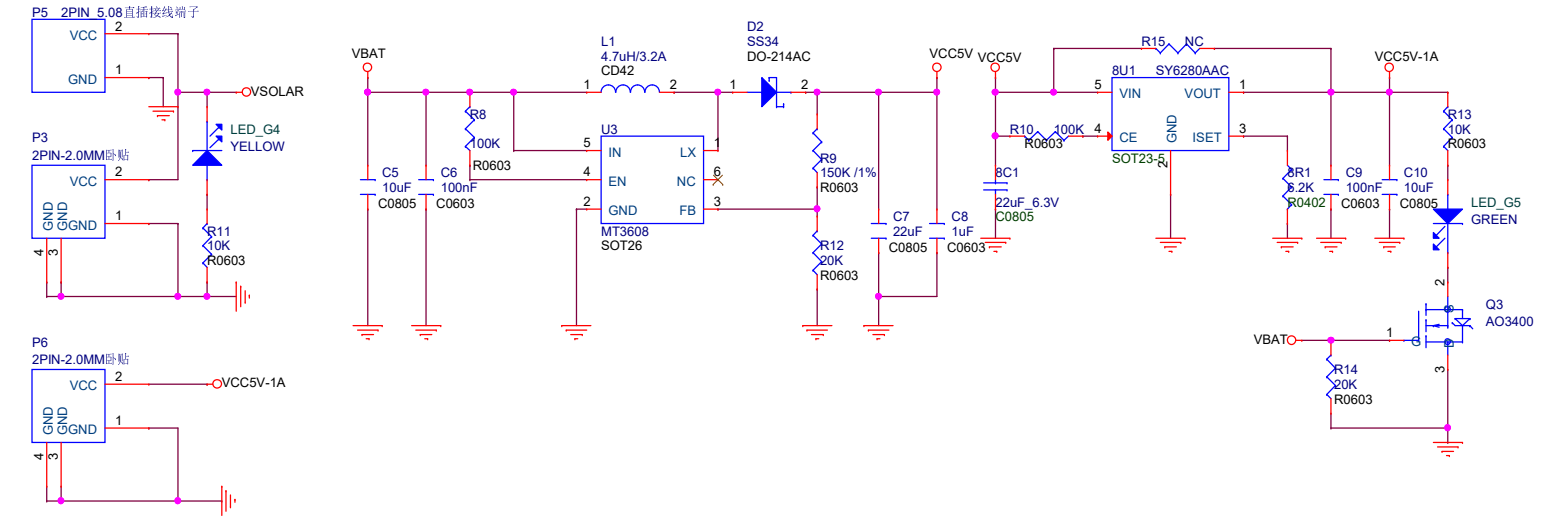
## Battery Interface



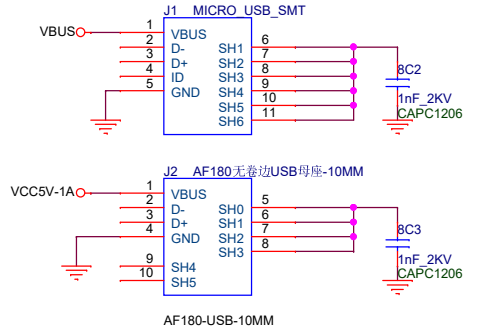
## 输入电压4.4-6V



## Solar Panel Interface



## USB



Title		
SOLAR_POWER_MANAGER_5V		
Size B	Document Number POWER	Rev V1.0
Date:	Monday, May 10, 2021	Sheet 1 of 1